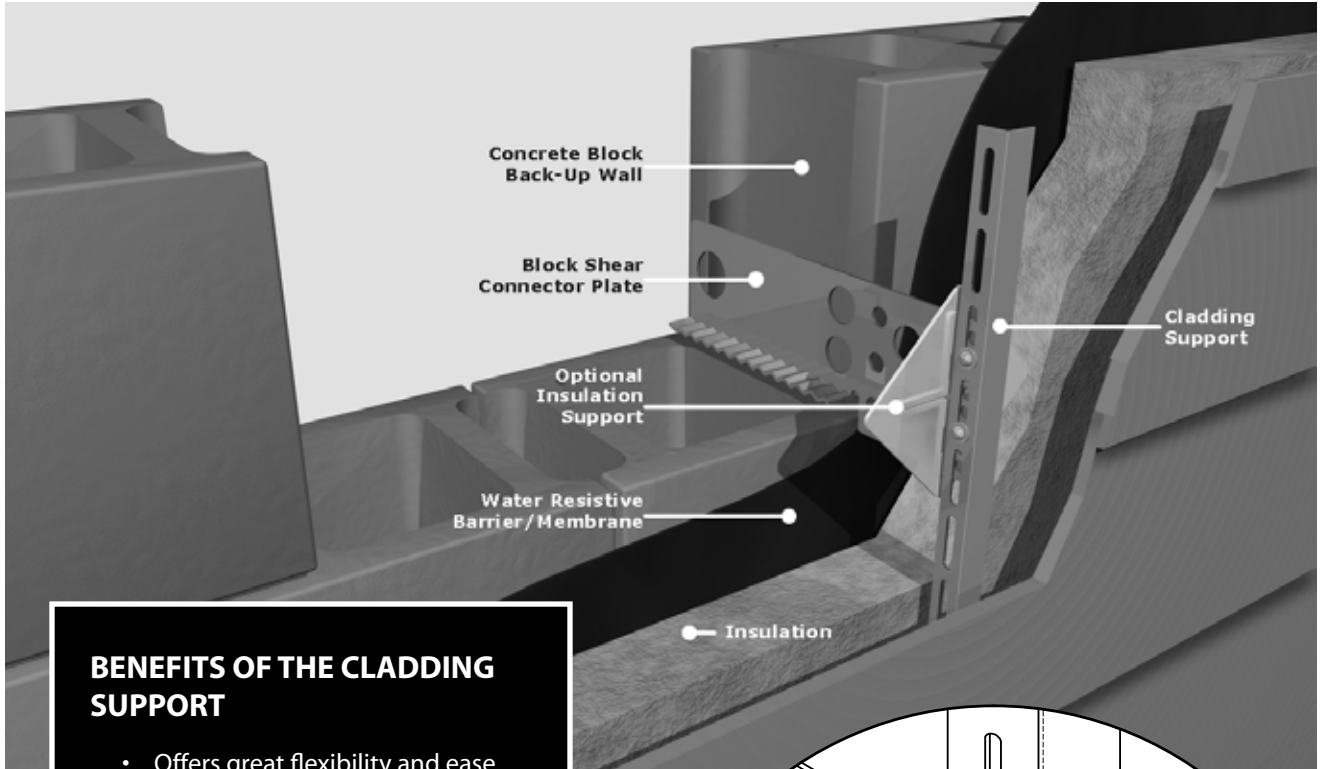
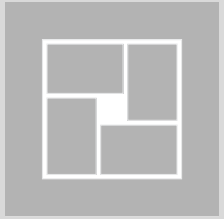


CLADDING SUPPORT

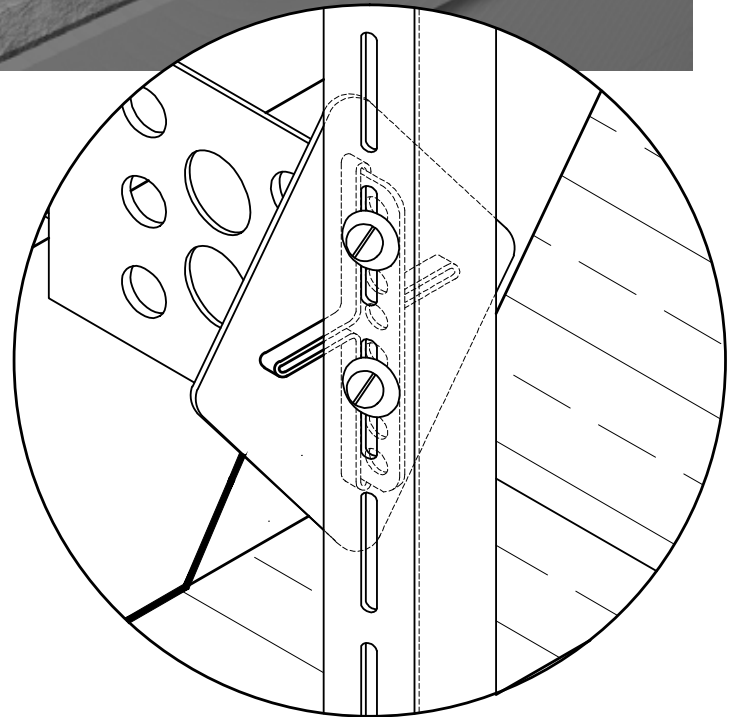
FOR EXTERIOR INSULATED WALLS



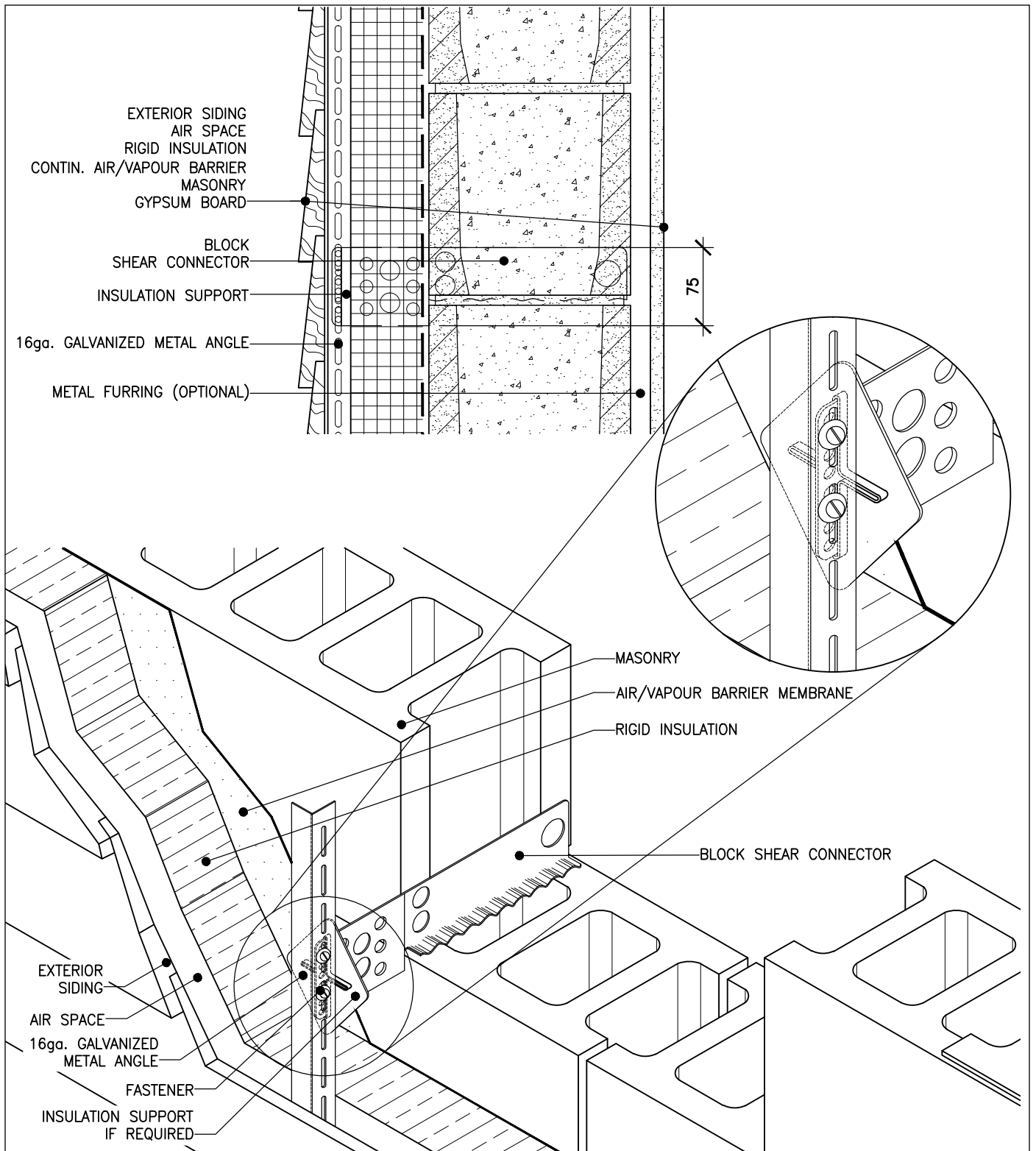
BENEFITS OF THE CLADDING SUPPORT

- Offers great flexibility and ease for installing a wide range of cladding systems
- Provides a rigid connection surface for cladding/siding
- Secures exterior insulation firmly in place
- Promotes moisture venting

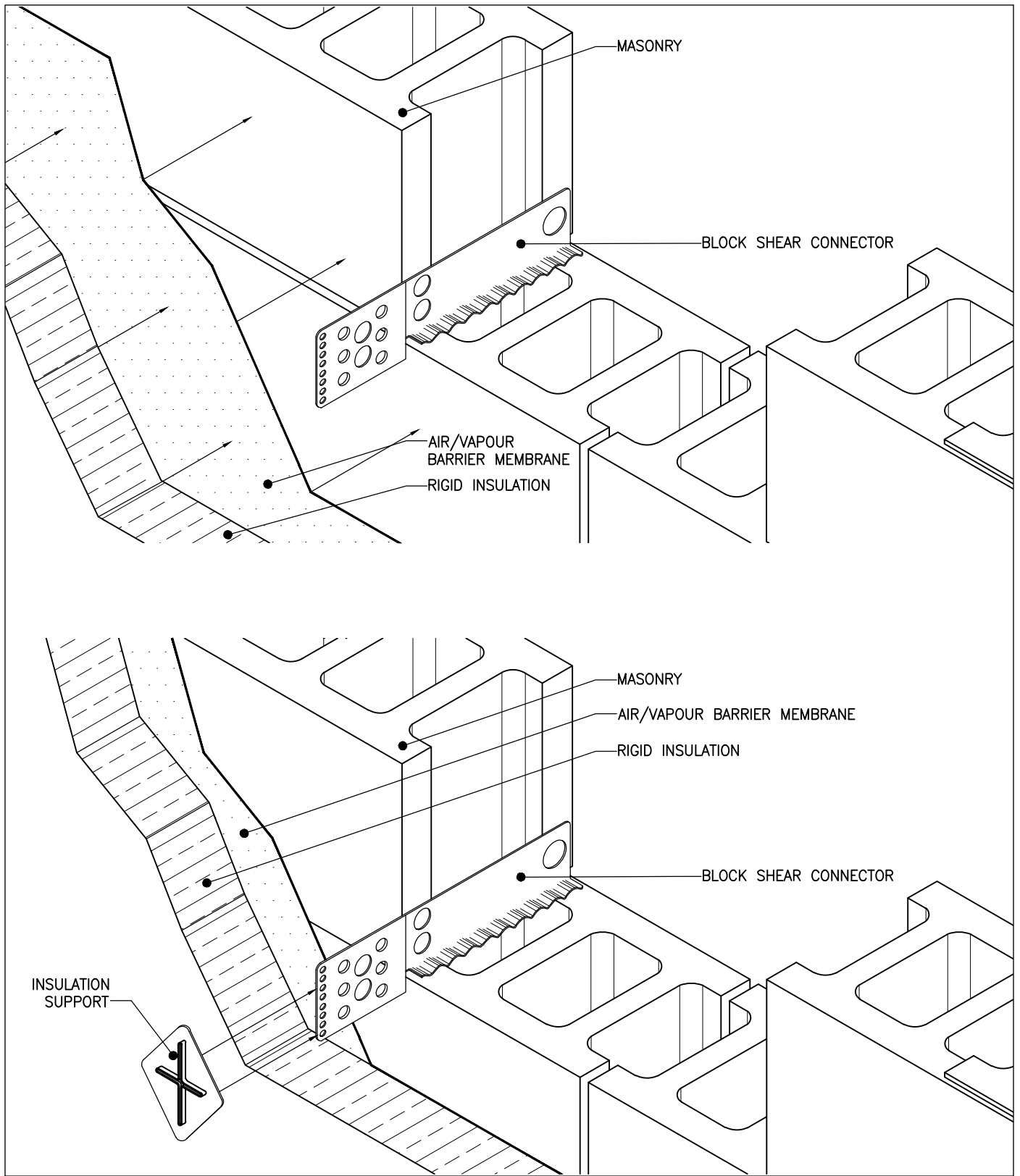
The Cladding Support for exterior insulated walls can be used with any of our holed connectors or ties to secure the rigid insulation and create an airspace between the insulation and the cladding materials.

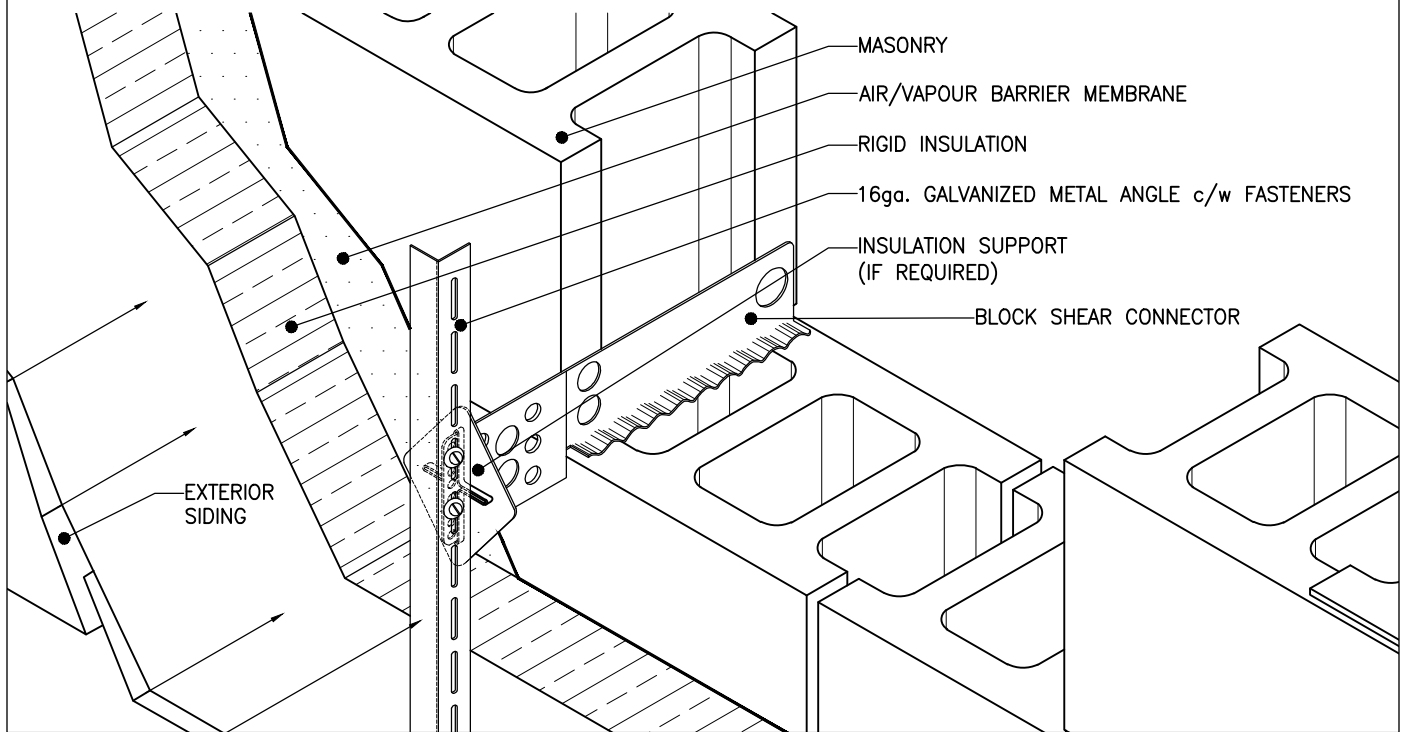
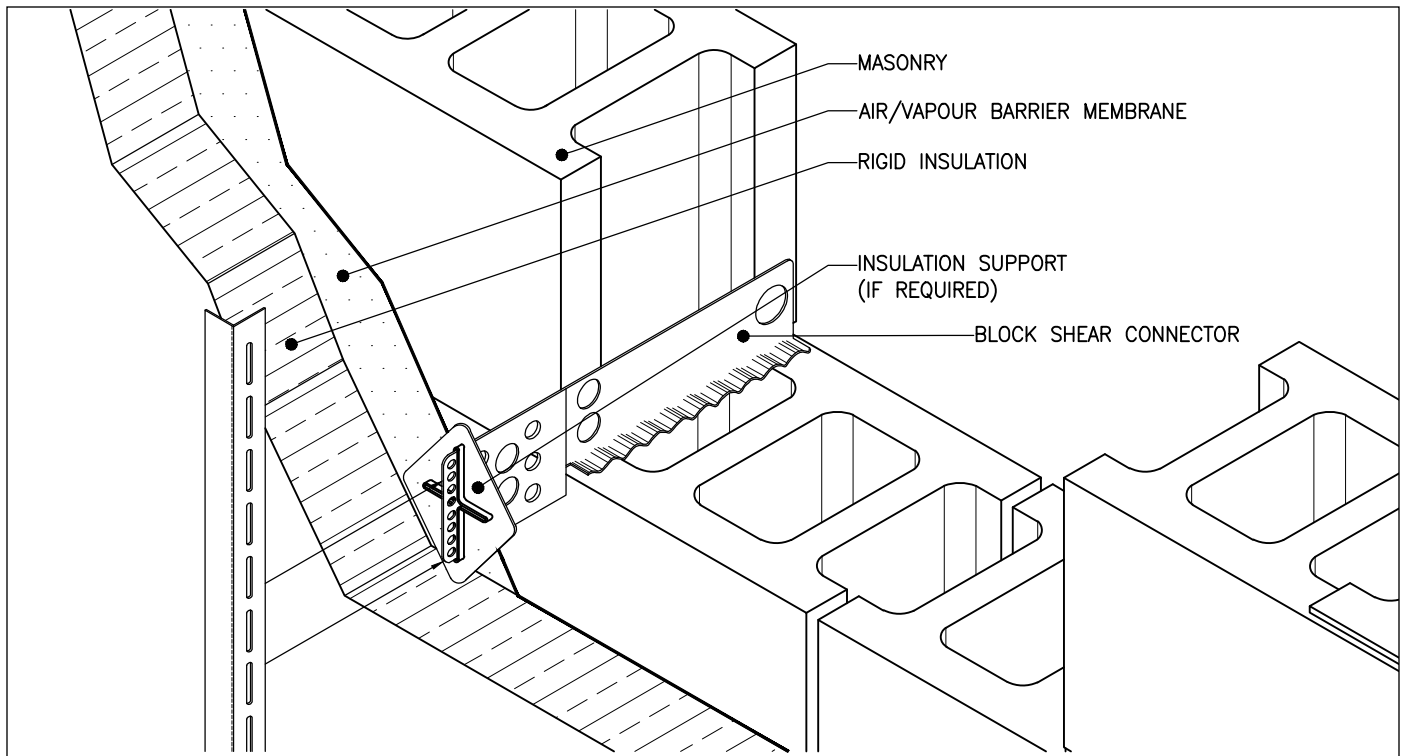


Not to Scale



CLADDING SUPPORT MASONRY BACK-UP WALL



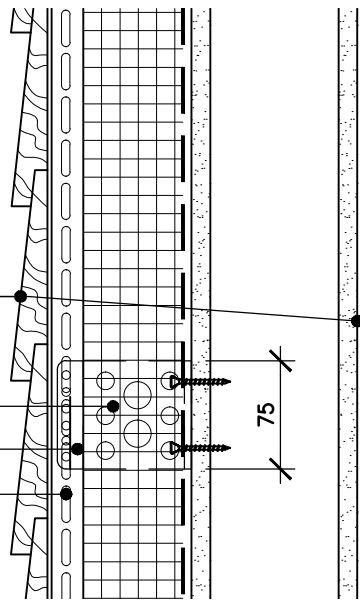


EXTERIOR SIDING
 AIR SPACE
 RIGID INSULATION
 CONTIN. AIR/VAPOUR BARRIER
 1/2" (12.7mm) SHEATHING
 WOOD STUDS
 GYPSUM BOARD

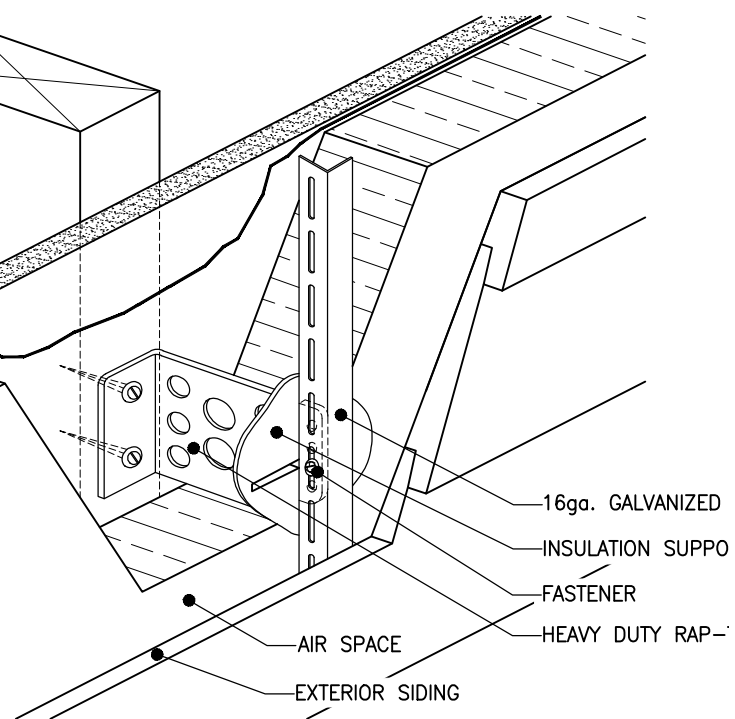
HEAVY DUTY RAP-TIE

INSULATION SUPPORT

16ga. GALVANIZED METAL ANGLE



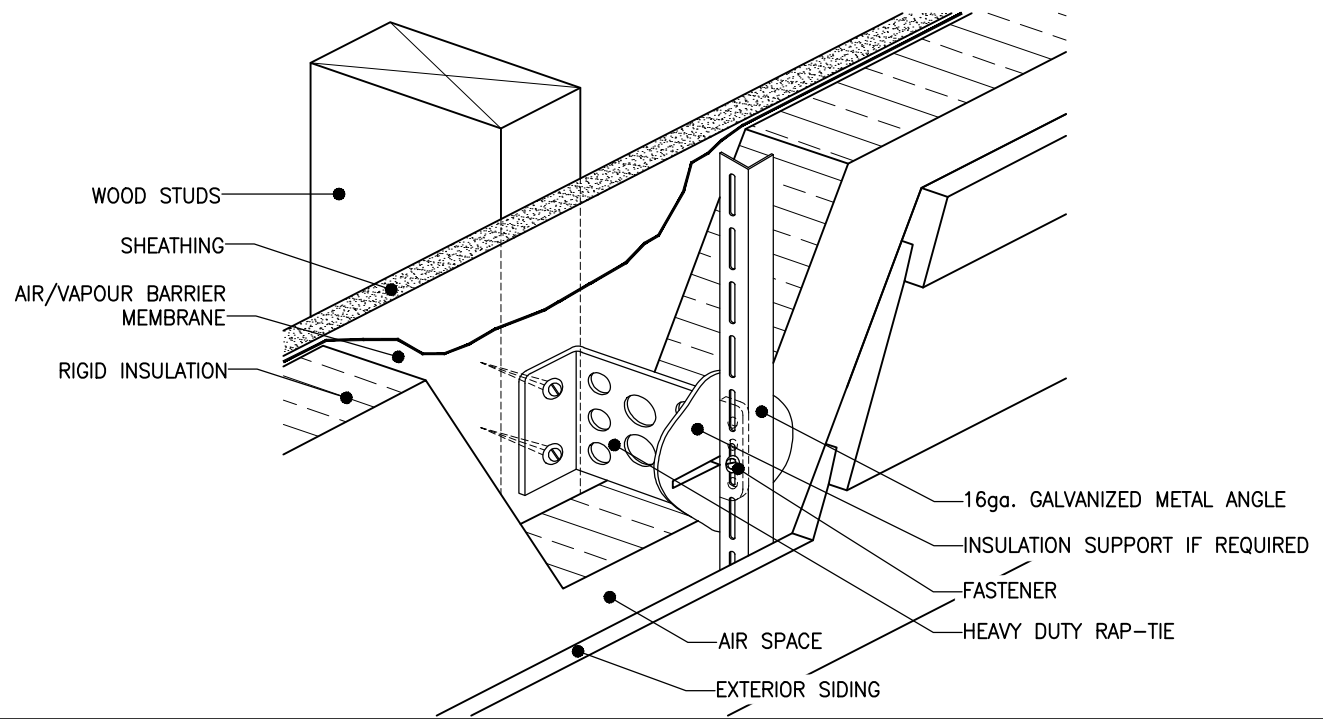
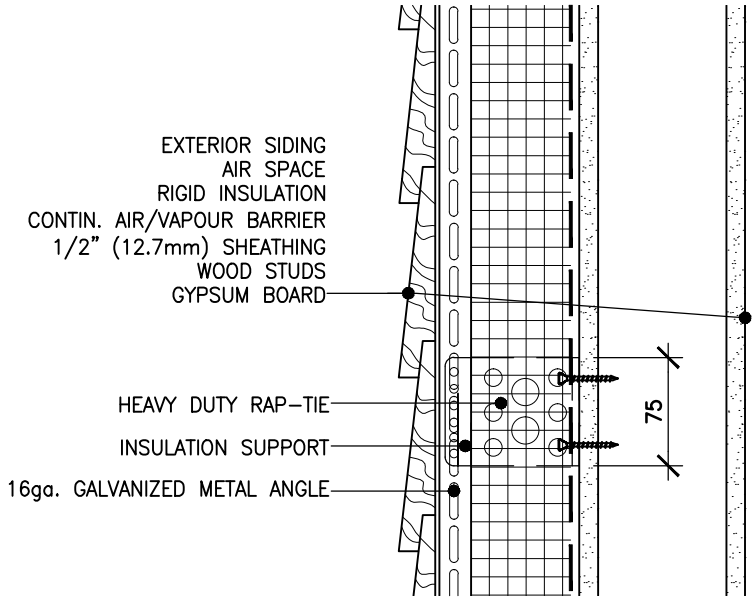
WOOD STUDS
 SHEATHING
 AIR/VAPOUR BARRIER
 MEMBRANE
 RIGID INSULATION



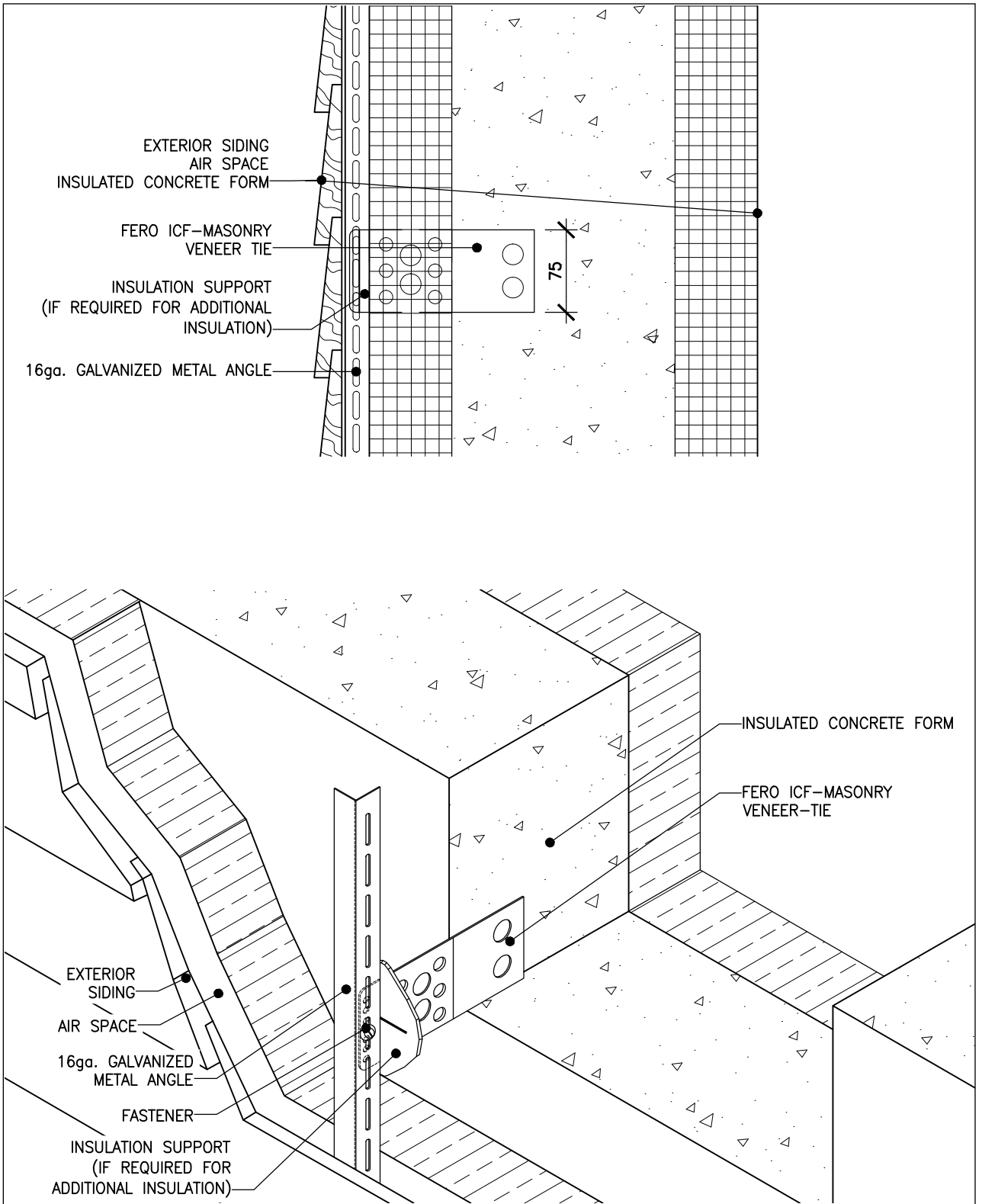
16ga. GALVANIZED
 INSULATION SUPPO
 FASTENER
 HEAVY DUTY RAP-
 AIR SPACE
 EXTERIOR SIDING



CLADDING SUPPORT STEEL STUD BACK-UP WALL



CLADDING SUPPORT WOOD STUD BACK-UP WALL



CLADDING SUPPORT ICF BACK-UP WALL

Fero Corporation

15305 - 117 Avenue, Edmonton, Alberta T5M 3X4

Phone: (780) 455-5098 Fax: (780) 452-5969

www.ferocorp.com info@ferocorp.com