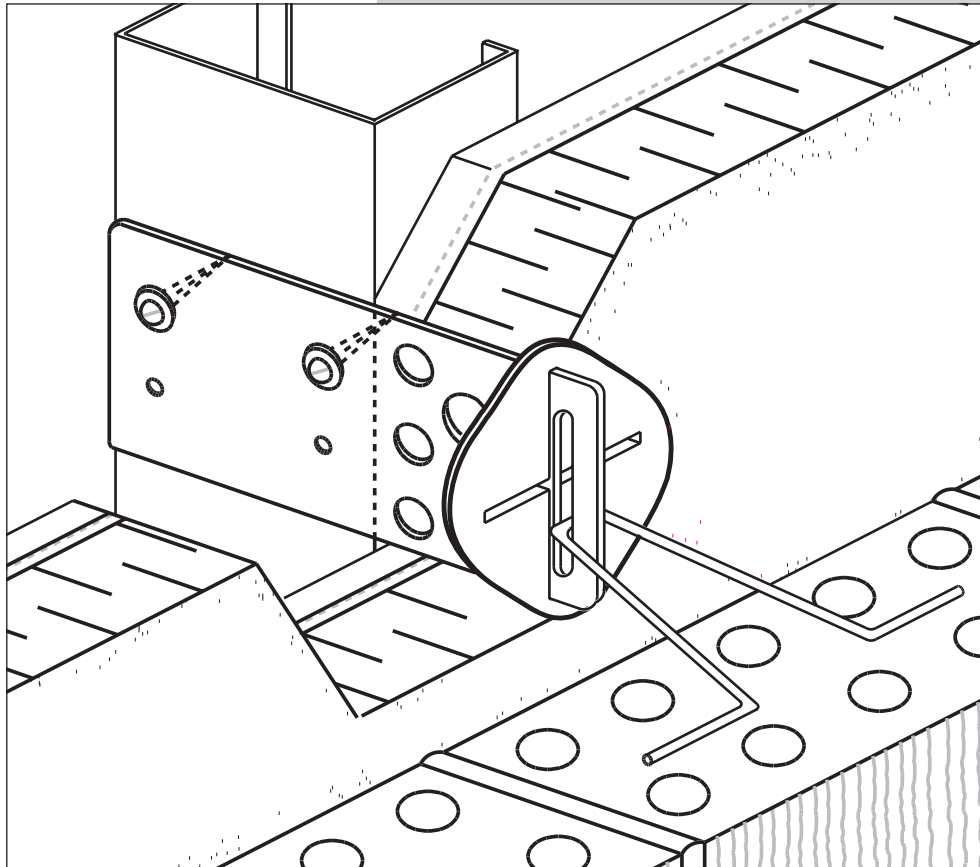
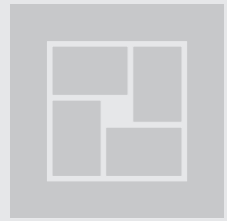


SLOTTED STUD TIE (TYPE I)



SLOTTED
STUD TIE
(TYPE I)
APPLICATION

Introduction

The Slotted Stud Tie (Type I) was developed for brick veneer steel stud wall construction where significant differential movement between the veneer and the steel stud backup wall is expected, such as high walls or multi-storey buildings with full height veneer. The Slotted Stud Tie (Type I) allows for up to 50 mm (2") of construction adjustability and differential movement between the veneer and the backup wall.

Note that as the Slotted Stud Tie (Type I) is only capable of transferring forces perpendicular to the wall and not parallel to the wall, composite action cannot be achieved between the masonry veneer and the steel stud backup wall. For the design of shear connected brick veneered steel stud wall systems (i.e. composite wall construction), see Fero Stud Shear™ Connector product literature.

Description

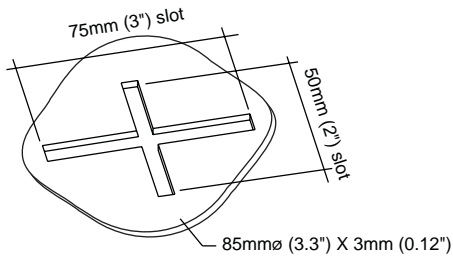


Figure 2 Insulation Support

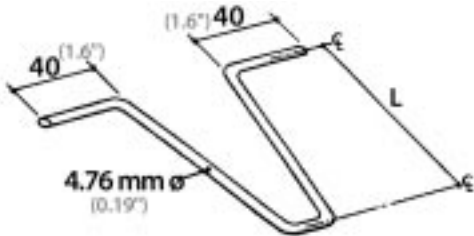


Figure 3 V-Tie™

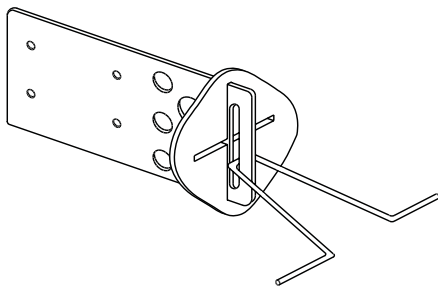


Figure 4 Slotted Stud Tie (Type I)

Every Slotted Stud Tie (Type I) assembly consists of a Slotted Stud Plate (Type I), a V-Tie™, and an optional Insulation Support.

The Slotted Stud Plate (Type I) component, presented in *Figure 1*, is manufactured from 16 gauge (1.61 mm [0.063"] thick) sheet metal conforming to ASTM Standard A570, and is available in hot dipped galvanized finish (conforming to CSA-CAN3-A370 and ASTM A123 requirement of 401 g/m²/side [1.31 oz/ft²/side] of zinc coating) and stainless steel.

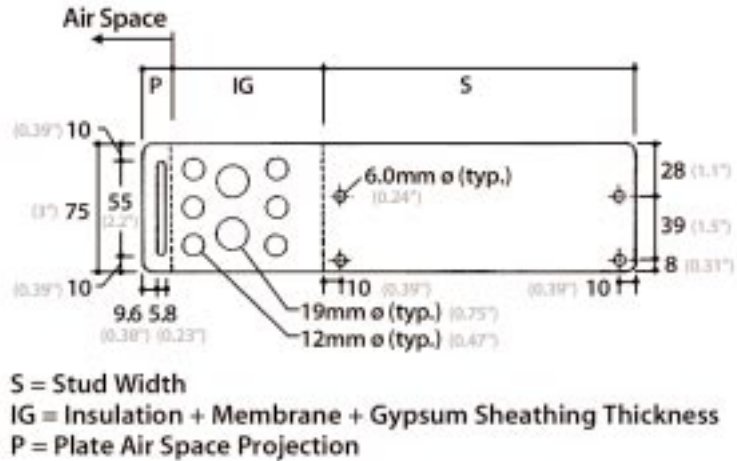


Figure 1 Slotted Stud Plate (Type I)

The length of the Slotted Stud Plate (Type I) can vary to accommodate stud width (S) of 102 mm (4"), 152 mm (6") and 203 mm (8"), insulation plus membrane plus gypsum sheathing thickness (IG) of 0 mm (0") and up, and air space width (A) of 25 mm (1") and greater.

The 55 mm (2.2") high by 5.8 mm (0.23") wide slot at the end of the Slotted Stud Plate (Type I) allows for up to 50 mm (2") of construction adjustability and differential movement between the plate and the V-Tie™.

Four 6.0 mm (0.24") diameter screw holes in the stud width portion (S), of the Slotted Stud Plate (Type I) provide for adequate fixity of the plate to the steel stud. Note that a minimum of two screws per connector is required to produce a moment connection. The shear mode connection of the screw is much more desirable than the corrosion susceptible tension mode connection.

Thermal bridging reducing holes are incorporated within the insulation thickness portion (IG), of the Slotted Stud Plate (Type I).

V-Tie™ The V-Tie™, as shown in *Figure 3*, is manufactured from 4.76 mm (0.19") diameter wire conforming to CSA Standard G30.3, and is available in hot dipped galvanized finish (conforming to CSA CAN3-A370 and ASTM A153 requirement of 458 g/m²/side [1.5 oz/ft²/side] of zinc coating) and stainless steel.

Insulation Support. The Insulation Support is manufactured from polyethylene and is optionally used to secure the sheet insulation in place.

Specification Guidelines

The Slotted Stud Plate (Type I) specification length (S) refers to the actual width of the stud, the specification length (IG) refers to the actual thickness of the insulation plus membrane plus gypsum sheathing, and the specification length (P) refers to the length of projection of the Slotted Stud Plate (Type I) into the air space.

The V-Tie™ specification length (L) should be selected to provide for placement of the legs of the V-Tie™ at the centerline of brick veneer. The 80 mm (3.1") V-Tie™ is utilized in the Slotted Stud Tie (Type I) system consisting of 25 mm (1") air space and 90 mm (3.5") brick veneer. Other V-Tie™ sizes are: 60 (2.4"), 100 (3.9"), 120 (4.7"), 140 (5.5"), 160 (6.3"), 180 (7.1"), 200 (7.9"), 225 (8.9") and 250 mm (9.8").

The Insulation Support is standard.

Recommended Design Load and Deflections

1. Free Play (maximum):	1.04 mm (0.041")	
2. 0.45 kN (100 lbs) Deflection		
- free play not included:	0.07 mm (0.003")	
- including free play:	1.11 mm (max) (0.044")	
3. Recommended Design Load:	0.76 kN (170 lbs)	
4. Recommended Design Load Deflection		
- free play not included:	0.13 mm (0.005")	
5. Maximum Recommended Spacing:	Horizontal:	Vertical:
	800 mm (32")	600 mm (24")

Notes

- i) The design values reflect both the windward and leeward capacity of the Slotted Stud Tie (Type I) system, with the governing values listed.
- ii) The tie system recommended design load value was formulated using working stress design following the procedures of CSA CAN3-A370-M94 "Connectors for Masonry", ACI/ASCE/TMS/518 and U.B.C. The value has been reduced to account for test result variation, and reflects a factor of safety of 2.25 (i.e. 75% of 3.0), as per Table 3 (A370).
- iii) The allowable mortar pull-out or push-out design load for the V-Tie™ embedded at the centerline of 90 mm (3.5") brick veneer utilizing Type M, S, or N mortar, exceeds or equals the recommended design load listed above.
- iv) The above design values relate to the capacity of the FERRO tie components. Compatible fasteners capable of resisting the design loads must be selected.

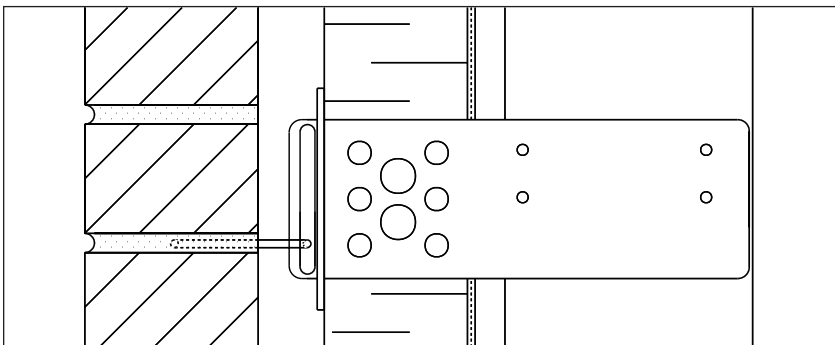


Figure 5 An installation wall section

- v) The above design values are based on test results utilizing a 127 mm (5") cavity (25 mm [1"] air space). No insulation or gypsum sheathing was used. Note that for smaller cavity widths and/or with the addition of insulation sheathing providing lateral tie support, increased tie system design loads and reduced tie system deflections may be realized.
- (vi) Maximum recommended spacing reflects the maximum allowable by CSA-A370-94, ACI/ASCE/TMS/518 and U.B.C. For stud construction, every vertical stud should contain ties. Design will ultimately govern spacing.

SLOTTED STUD TIE (TYPE I)

Design Philosophy

Robert G. Drysdale, Ph. D., P.Eng., President of Drysdale Engineering and Associates Limited examined masonry tie usage in a brief report entitled "Structural Requirements for Non-Loadbearing Masonry Backup Walls and Potential for Composite Action" and dated September 4, 1991. In the report Drysdale stated "...theoretically (composite action) is a very attractive engineering idea." Drysdale further stated that "... Literature, calculations, and tests used to develop design information for such systems must clearly show not only the benefits of the coupling of the two wythes, but also the detrimental effects of restrained differential movements."* Drysdale concluded by noting "At this point in time practice and 'conventional' wisdom has been to allow the two wythes to move independently in the plane of the wall and ties have specifically been designed to accommodate such movements."

The design of the Slotted Stud Tie (Type I) not only satisfies this "conventional" wisdom, but eliminates numerous traditional masonry tie potential pitfalls such as fasteners in tension to studs, multi-part ties that do not possess positive restraint between tie components, multi-part ties that allow excessive free play, and multi-part ties that undergo excessive deformation under load. Above all this, the Slotted Stud Tie (Type I) has been engineered.

** The effects of restrained differential movement associated with Shear Connected walls has been addressed in Prairie Masonry Research Institute technical booklet entitled "Differential Movement In Cavity Walls And Veneer Walls Due To Material and Environmental Effects", authored by Ajay Goyal, Dr. Michael A. Hatzinikolas and Prof. Joseph Warwaruk and dated August 1992. Although the effects of restrained differential movements are real, their magnitudes were found to be relatively small and could easily be incorporated into composite wall designs.*

