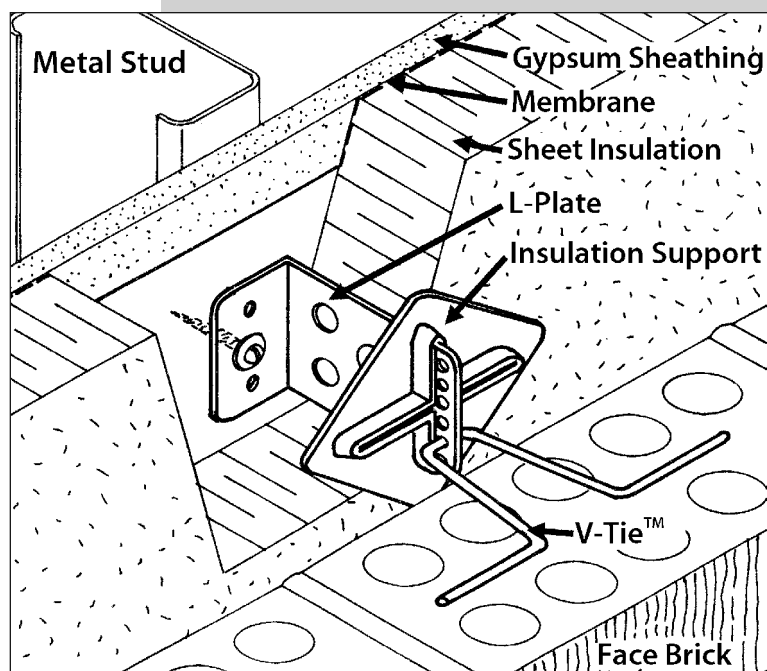


# RAP-TIE



RAP-TIE  
APPLICATION

## Introduction

The Rap-Tie (Rod Adjustable Plate Tie) system consists of an L-Plate (a vertically orientated L-shaped plate), a V-Tie™ (a V-shaped wire), and an Insulation Support (optional, but recommended). See Figures 1, 2 and 3.

Lateral loads applied to the masonry veneer are transferred through the V-Tie™ to the L-Plate which bears against, and is fastened to, the structural backing. Attachment may be directly to a steel stud, or by surface mounting to a sheathing over a steel stud as shown in *Figures 4 and 5*, respectively. Requirements for the structural integrity and moisture protection of any intervening material in the tie load-path, such as a sheathing, are contained in CSA Standard A370, "Connectors for Masonry"; ACI 530.1/ASCE 6/TMS 602 "Building Code Requirements for Masonry Structures" and the International Codes (International Building Code and International Residential Code). The holes along the outboard end of the L-Plate through which the V-Tie™ is inserted provide a positive connection, without the possibility of V-Tie™ disengagement during construction and in-service (in accordance with requirements in CSA A370 and ACI 530.1/ASCE 6/TMS 602), and permit up to 36 mm (1.4") of in-situ vertical adjustment so that a bed joint in the outer wythe will always be coincident with the V-Tie™.



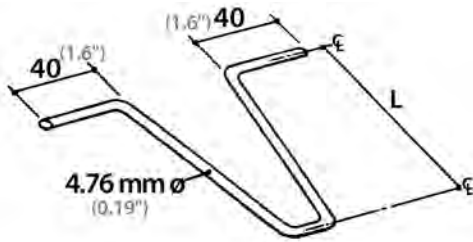


Figure 2 V-Tie™

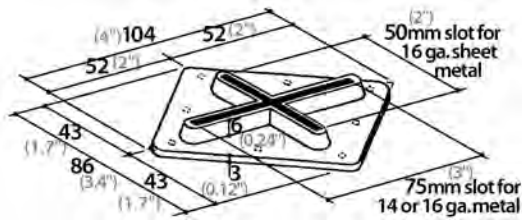


Figure 3 Insulation Support

**V-Tie™:** The V-Tie™ is manufactured from 4.76 mm (0.19") diameter wire and is available in both hot-dip galvanized finish and stainless steel. The weight of the hot-dip galvanized finish is not less than 460 g/m<sup>2</sup> (1.5 oz/ft.<sup>2</sup>) and satisfies the requirements of CSA A370 (which references ASTM A123), ACI 530.1/ASCE 6/TMS 602 (which references ASTM A153, 458 g/m<sup>2</sup>) and the International Codes (which reference ASTM A153, Class B, 458 g/m<sup>2</sup>).

The V-Tie™ is available in a variety of standard lengths to accommodate different specified thicknesses of masonry veneer and design widths of air space. Varying lengths of V-Tie™ also facilitate in-situ adjustment normal to the structural backing (to accommodate construction tolerances) where the constructed width of air space differs from the design width of air space. Standard lengths of V-Tie™ include 60 mm (2.4"), 80 mm (3.1"), 100 mm (3.9"), 120 mm (4.7"), 140 mm (5.5"), 160 mm (6.3"), 180 mm (7.1"), 200 mm (7.9"), 225 mm (8.9") and 250 mm (9.8").

**Insulation Support:** The Insulation Support is manufactured from polyethylene. It is pressed over the outboard end of the L-Plate tightly against the cavity insulation to prevent the insulation from separating from the structural backing/air barrier. The friction fit between the Insulation Support and the L-Plate restrains the insulation during construction which is commonly installed in advance of the exterior masonry wythe. Subsequent installation of the V-Tie™ sandwiches the Insulation Support between the insulation and the V-Tie™, thereby locking the Insulation Support in-place and ensuring a reliable and permanent insulation support system.

## Structural Composite Action

In most applications, the Rap-Tie is designed to simply transfer the lateral load from the exterior masonry wythe (the veneer) axially to the structural backing, and a single fastener will usually prove adequate. However, by using two fasteners to attach the L-Plate to the structural backing, shear forces as well as axial forces can be resisted by the Rap-Tie to provide composite action between the masonry veneer and the structural backing. The entire wall thickness, including both veneer and structural backing, becomes effective in resisting lateral loads, offering reduced lateral deflections and increased lateral resistance (see FERRO Stud Shear™ Connector or Block Shear™ Connector literature). A Rap-Tie can be used for retro-fitting masonry veneer systems where reducing lateral deflection of the steel stud structural backing is a required intervention. (Use the FERRO Shear Truss program to evaluate forces in the assembly).

# Unit Masonry, Dimension Cut and Manufactured Stone Veneer Applications

In addition to its use in unit masonry veneer applications (Figures 4 and 5) including both clay brick and concrete masonry, the Rap-Tie system can be utilized in the application of stone or thin masonry veneer, as illustrated in Figure 6.

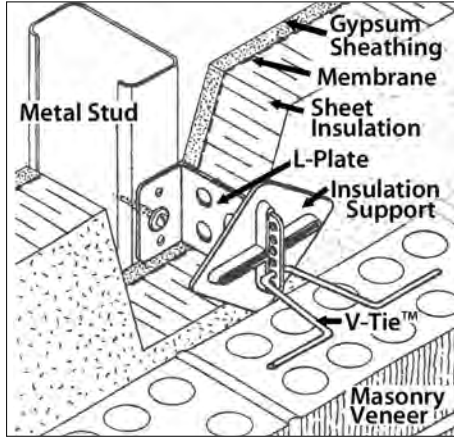


Figure 4 Rap-Tie Attached Directly to Steel Stud

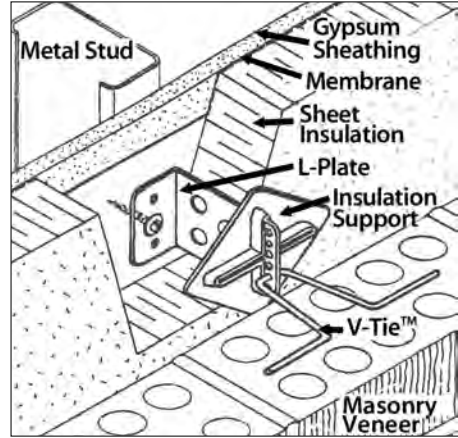


Figure 5 Rap-Tie Surface Mounted on Protected Gypsum Sheathing

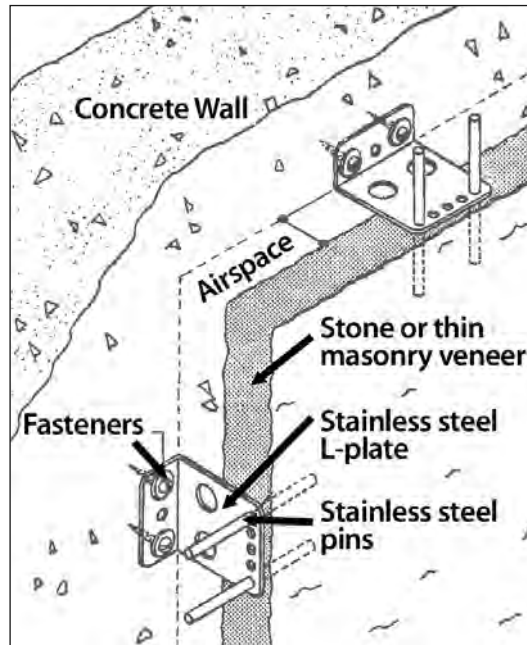


Figure 6 Rap-Tie System Application for Dimension Cut Stone Veneer

# Rap-Tie Design Data

Design data for the Rap-Tie are reported separately for Canada and the United States in the following tables because design methods and requirements for masonry ties and their uses differ between their respective codes and standards.

## Rap-Tie Design Data (Canada)

Design Parameter	Design Data <sup>(i), (iii)</sup>	
1. Mechanical Free Play <sup>(iv)</sup> (with FERRO V-Tie™)	0.80 mm (max.) [0.031"]	
2. Serviceability at 0.45 kN [100 lbs.] <sup>(iv)</sup>	Tie Mounted Directly to Steel Stud	Tie Mounted on Surface of Protected Exterior Gypsum Sheathing Over Steel Stud <sup>(ii)</sup>
Deflection	0.47 mm [0.019"]	0.50 mm [0.02"]
Deflection + Mechanical Free Play	1.27 mm (max) [0.05"]	1.30 mm (max) [0.051"]
3. Factored Resistance ( $\Phi P_{ult}$ ) <sup>(v), (vi), (vii)</sup>	1.51 kN [331 lbs.]	
4. Maximum Recommended Spacing <sup>(viii)</sup>	Horiz.	Vert.
	800 mm [32"]	600 mm [24"]

## Notes:

- (i) These design data are based on connector testing in accordance with CSA A370-04, Connectors for Masonry, with no surcharge and with test samples having the following configuration: 127 mm [5"] cavity; 102 mm [4"] L-Plate; 25 mm [1"] air space; one (1) fastener located in the centre hole of the L-Plate; standard FERRO VTie™; and V-Tie™ engaged into L-Plate at position of maximum vertical adjustment. Smaller cavity widths and/or the addition of insulations providing lateral support to the tie L-Plate will increase the tabled factored resistance of the tie and reduce tie deflection.
- (ii) Protected exterior gypsum sheathing consisting of Perma-Barrier (W.R. Grace) adhered to 12.7 mm (0.5") exterior gypsum board.
- (iii) These design data reflect both the windward (compression) and leeward (tension) capacities of the Rap-Tie system, with the governing values listed.
- (iv) The Rap-Tie satisfies the limiting requirements for serviceability (tie displacement and mechanical free play) in CSA A370-04. Tabled mechanical free play is for stainless steel components. The mechanical free play for hot-dip galvanized components is less.
- (v) The ultimate strength of the Rap-Tie,  $P_{ult}$ , is determined in accordance with CSA A370-04 and is calculated by multiplying the average tie strength established by testing by (1 – 1.64 cov). The factored resistance of the tie system ( $\Phi P_{ult} = \Phi R$ ) is calculated using the Limit States Design procedures of CSA A370-04.
- (vi) The stated tie factored resistance does not consider fastener resistance. A compatible fastener (or fasteners) having an adequate factored resistance must be selected (by design in accordance with CSA A370-04).
- (vii) The factored resistance of the mortar pull-out or push-through for the V-Tie™ embedded at the centreline of 90 mm (3.5") brick veneer utilizing Type S or N mortar exceeds or equals the tabled factored resistance,  $\Phi P_{ult}$ . Failure by pull-out/push through of the mortar joint does not govern.
- (viii) Maximum recommended tie spacings are the maximum spacings permitted by CSA S304.1-04, *Design of Masonry Structures*. For a particular design, the actual tie spacings are calculated such that the factored resistance of the tie,  $\Phi P_{ult}$ , equals or exceeds the effect of factored loads. See S304.1-04 for the design of masonry veneer systems.

## Rap-Tie Design Data (U.S.)

Design Parameter	Design Data <sup>(i), (iii)</sup>	
1. Mechanical Free Play <sup>(iv)</sup> (with FERO V-Tie™)	0.031" (max.) [0.80 mm]	
2. Serviceability at 0.45 kN [100 lbs.] <sup>(iv)</sup>	Tie Mounted Directly to Steel Stud	Tie Mounted on Surface of Protected Exterior Gypsum Sheathing Over Steel Stud <sup>(ii)</sup>
Deflection	0.019" [0.47 mm]	0.02" [0.50 mm]
Deflection + Mechanical Free Play	0.05" (max) [1.27 mm]	0.051" (max) [1.30 mm]
3. Nominal Strength <sup>(v), (vi), (vii), (ix), (x)</sup>	452 lb. [2.01 kN]	
4. Recommended Design Load <sup>(v), (vi), (vii), (ix), (x)</sup>	200 lb. [0.89 kN]	
5. Maximum Recommended Spacing <sup>(viii)</sup>	Horiz.	Vert.
	32" [813 mm]	18" [457 mm]

## Notes:

- (i) These design data are based on connector testing in accordance with CSA A370-04, Connectors for Masonry, with no surcharge and with test samples having the following configuration: 5" [127 mm] cavity; 4" [102 mm] L-Plate; 1" [25 mm] air space; one (1) fastener located in the center hole of the L-Plate; standard FERO VTie™; and V-Tie™ engaged into L-Plate at position of maximum vertical adjustment. The test method for ties in CSA A370-04 is comparable to that of ASTM E754, Test Method for Pullout Resistance of Ties and Anchors Embedded in Masonry Mortar Joints, and provides similar and more conservative results. Smaller cavity widths and/or the addition of insulations providing lateral support to the tie L-Plate will increase the nominal strength of the tie and reduce tie deflection. Prescriptive requirements for anchored masonry veneer under ACI 530.1/ASCE 6/TMS 602 limit the cavity to a maximum width of 4-1/2" (114 mm) unless the veneer is alternatively designed using a rational, engineered design method (termed "Alternative Design of Anchored Masonry Veneer").
- (ii) Protected exterior gypsum sheathing consisting of Perma-Barrier (W.R. Grace) adhered to 0.5" (12.7 mm) exterior gypsum board.
- (iii) These design data reflect both the windward (compression) and leeward (tension) capacities of the Rap-Tie system, with the governing values listed.
- (iv) The Rap-Tie L-Plate with V-Tie™ satisfies the 1/16" (1.6 mm) maximum permissible clearance between connecting parts required by ACI 530.1/ASCE 6/TMS 602. Tabled mechanical free play is for stainless steel components. The mechanical free play for hot-dip galvanized components is less.
- (v) The nominal strength of the Rap-Tie is determined by test and is reported as the average ultimate strength of the tie samples. In accordance with ACI 530.1/ASCE 6/TMS 602, using Strength Design, a suitable strength-reduction factor must be applied to the nominal strength to determine the tie design strength. Similarly, under Allowable Stress Design, an appropriate safety factor must be applied to determine an allowable load value. The tabled "Recommended Design Load" reflects a safety factor of 2.25 (that is, 75% of 3.0). [See also Note (vii) when assigning a strength reduction factor to the nominal strength].
- (vi) The stated nominal strength and recommended design load do not consider fastener capacity. A compatible fastener (or fasteners) having an adequate strength must be selected (by design in accordance with ACI 530.1/ASCE 6/TMS 602).
- (vii) The nominal strength (and corresponding recommended design load) of the mortar pull-out or push-through for the V-Tie™ embedded at the centerline of 3.5" (90 mm) brick veneer utilizing Type M, S or N mortar exceeds or equals the tabled nominal strength (and recommended design load). Failure by pull-out/push-through of the mortar joint does not govern.
- (viii) Maximum recommended tie spacings are the maximum spacings permitted by ACI 530.1/ASCE 6/TMS 602 using prescriptive requirements for anchored masonry veneer. The prescriptive requirements in ACI 530.1/ASCE 6/TMS 602 further limit a tie tributary area to not more than 2.67 ft.<sup>2</sup> (0.25 m<sup>2</sup>) wall area [with reduced areas for high Seismic Design Categories and in areas of high winds] unless the veneer is alternatively designed using a rational, engineered method (termed "Alternative Design of Anchored Masonry Veneer"). Where an Alternative Design is used, the required tie spacing may be calculated such that the design strength of the tie equals or exceeds the required strength. See ACI 530.1/ASCE 6/TMS 602 for the design of masonry veneer systems.
- (ix) The Rap-Tie L-Plate with V-Tie™ satisfies ACI 530.1/ASCE 6/TMS 602 requirements for minimum wire size of W1.7 (MW11) and for ends bent to form a minimum 2 in (50.8 mm) extension.
- (x) ACI 530.1/ASCE 6/TMS 602 requires joint reinforcement in masonry veneer in high Seismic Design Categories to be mechanically attached to the masonry tie.



Fero Corporation

Canadian Patent No. 1,294,457  
Canadian Patent No. 1,306,116  
U.S. Patent No. 4,869,043  
©2000 Fero Corporation

15305 - 117 Avenue, Edmonton, Alberta T5M 3X4  
Phone: (780) 455-5098 Fax: (780) 452-5969  
www.ferocorp.com info@ferocorp.com