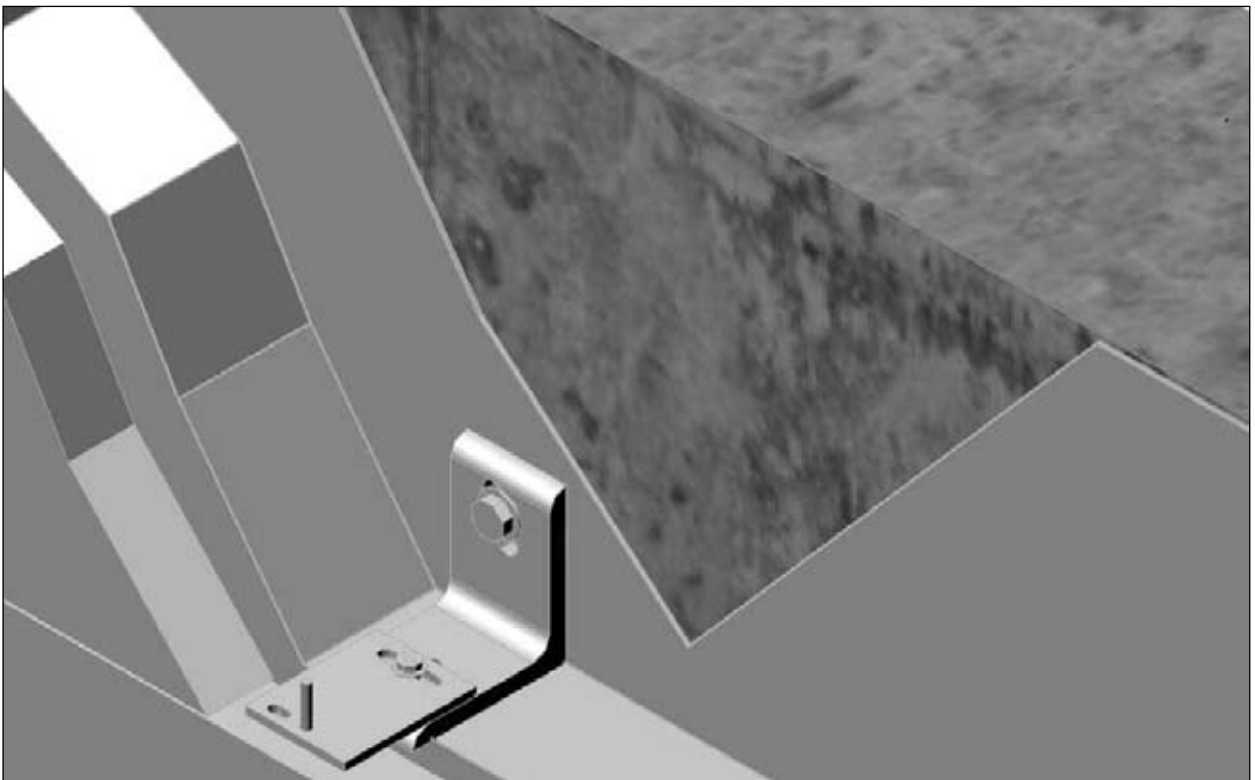
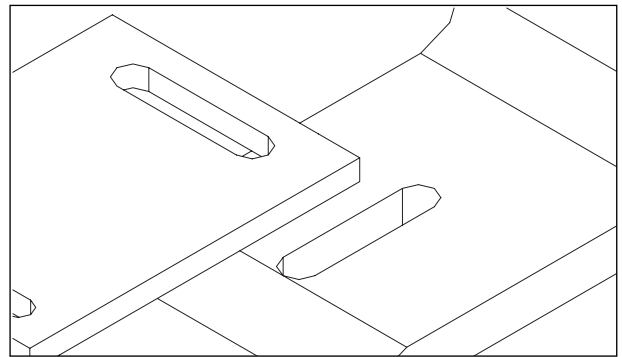
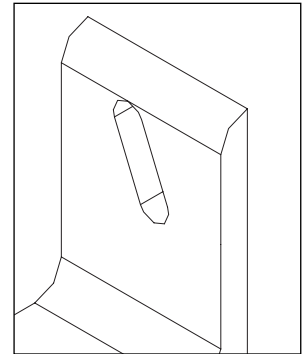
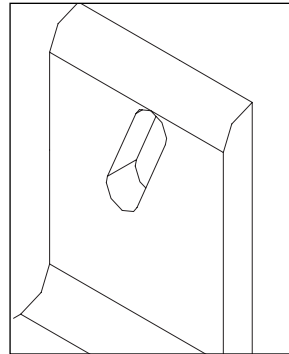
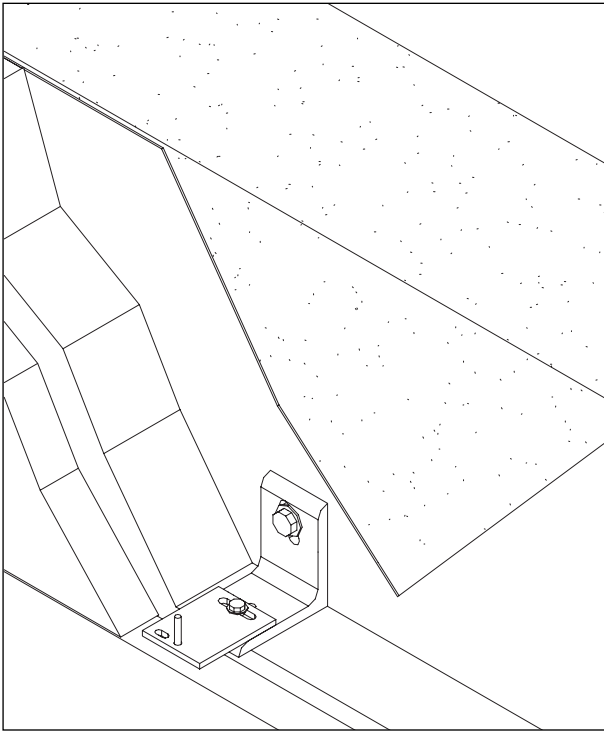
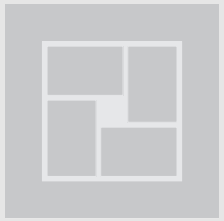


ADJUSTABLE THIN STONE VENEER SUPPORT

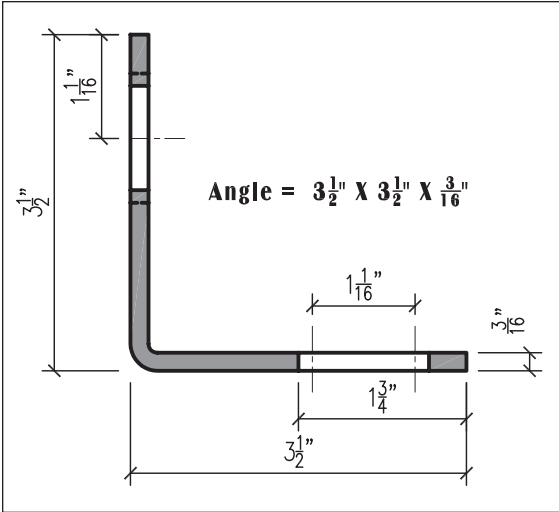


Not to Scale



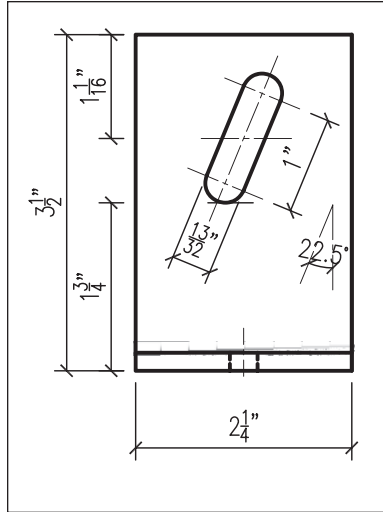
CONCRETE BACKUP WALL

Angle Details



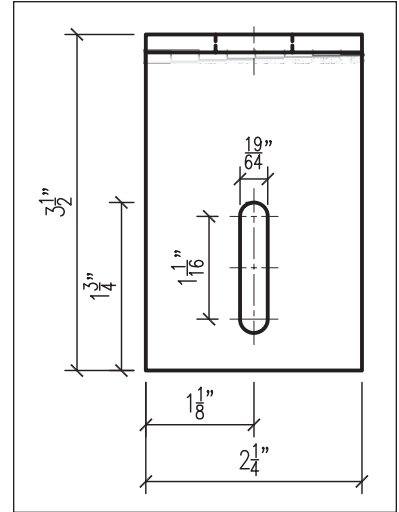
Section

Scale 6" = 1'



Elevation

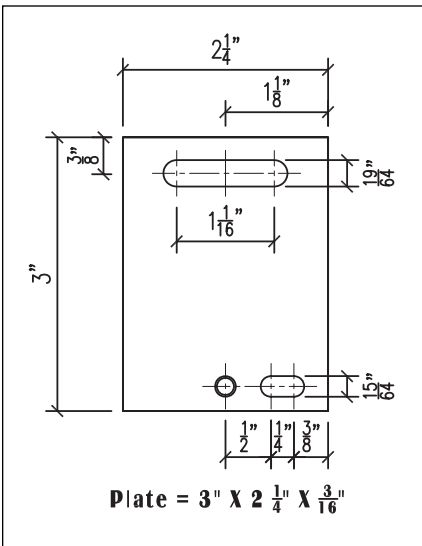
Scale 6" = 1'



Plan

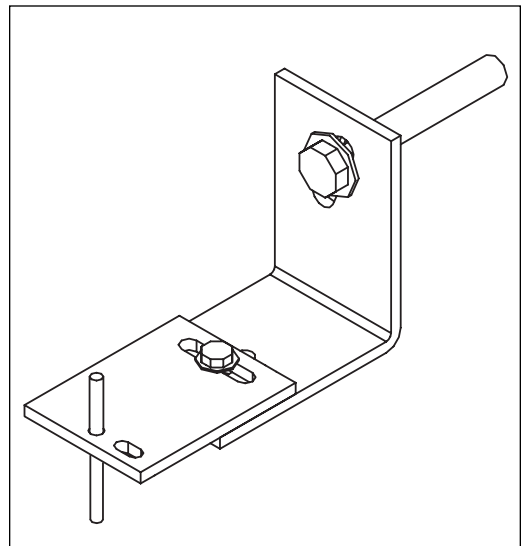
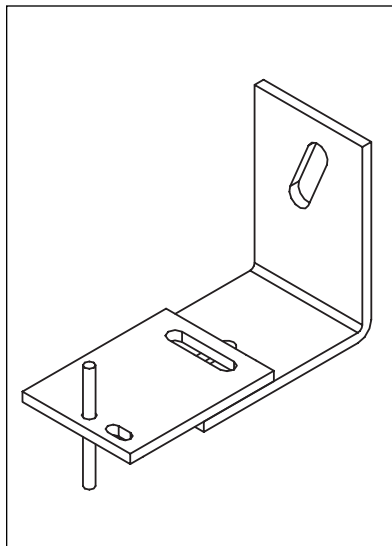
Scale 6" = 1'

Plate Details



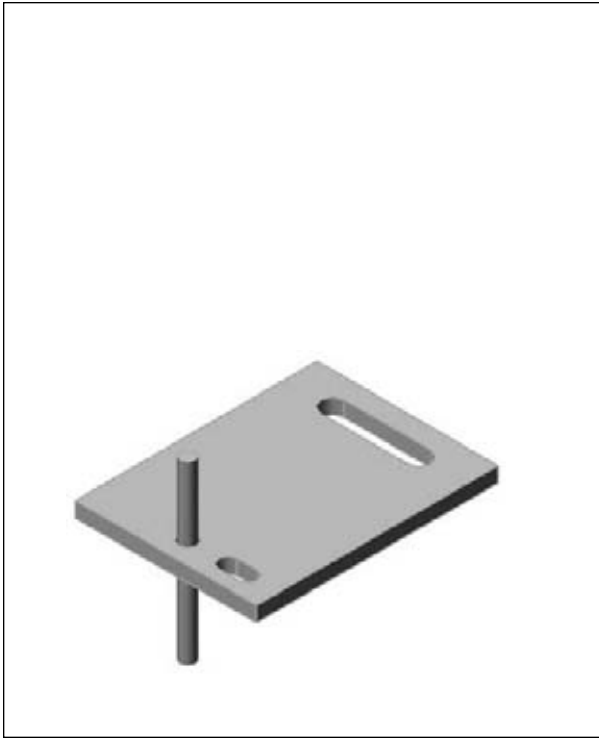
Plan

Scale 6" = 1'



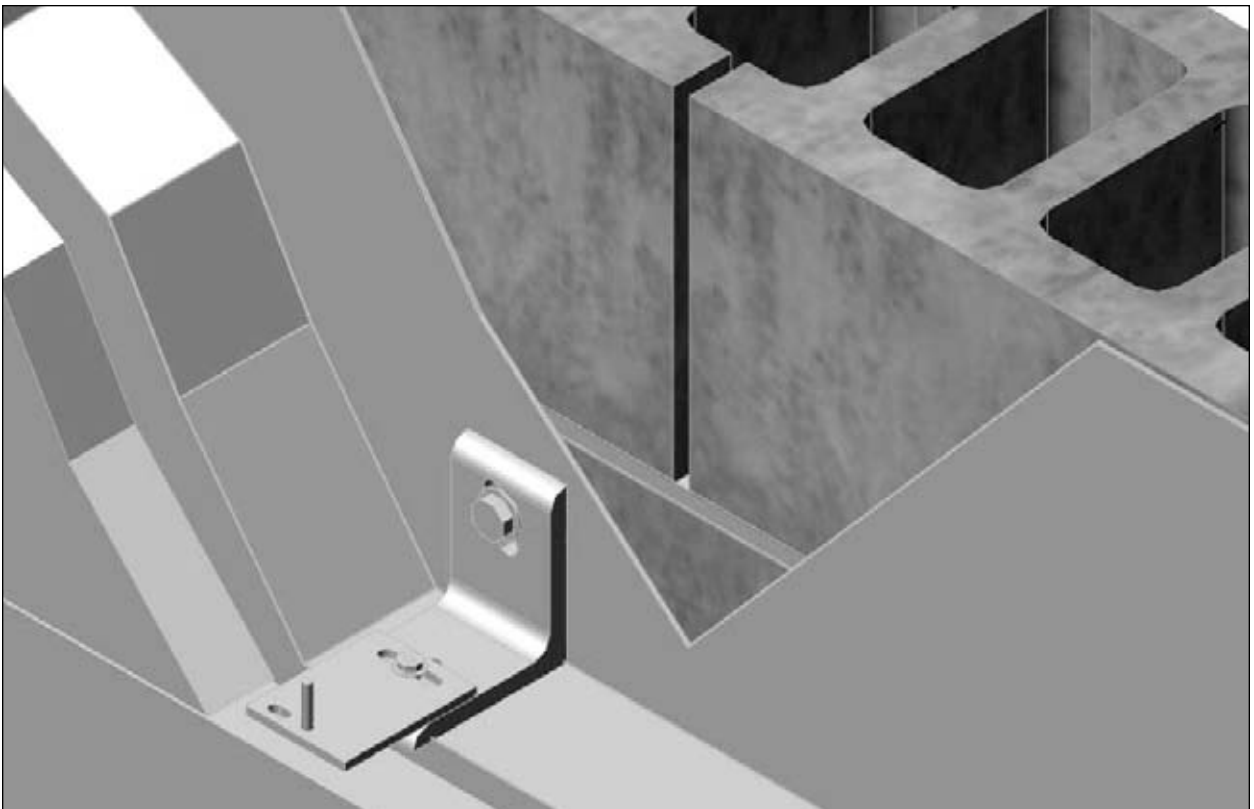
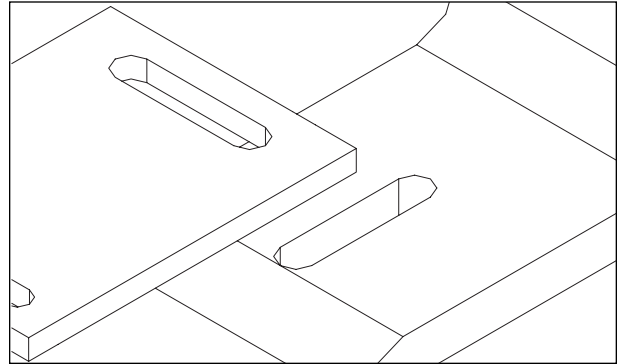
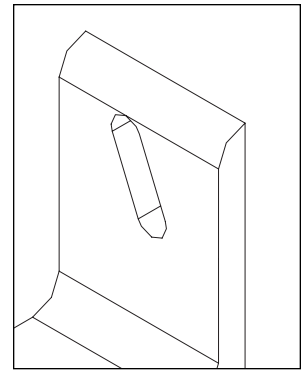
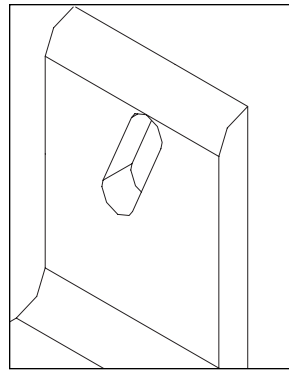
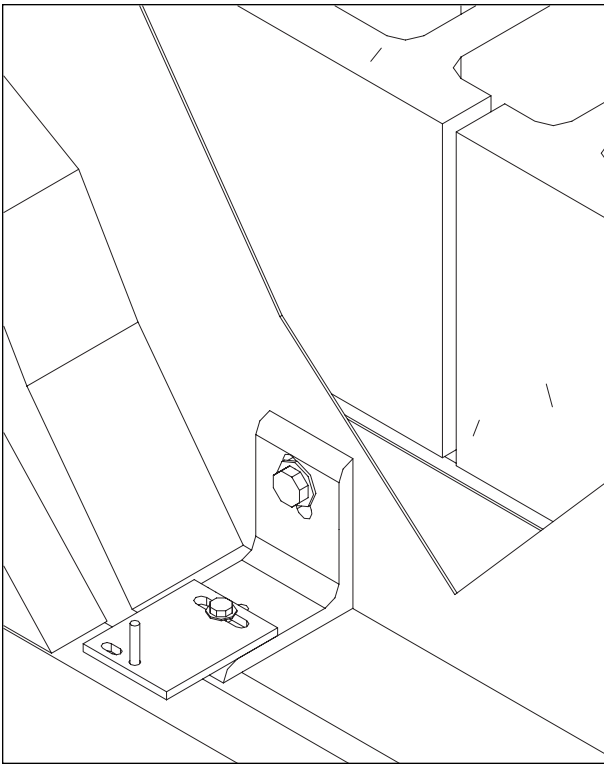


Not to Scale



Not to Scale

ADJUSTABLE THIN STONE VENEER SUPPORT



Not to Scale



Fero Corporation
15305 - 117 Avenue, Edmonton, Alberta T5M 3X4
Phone: (780) 455-5098 Fax: (780) 452-5969
www.ferocorp.com info@ferocorp.com

MASONRY BACKUP WALL